

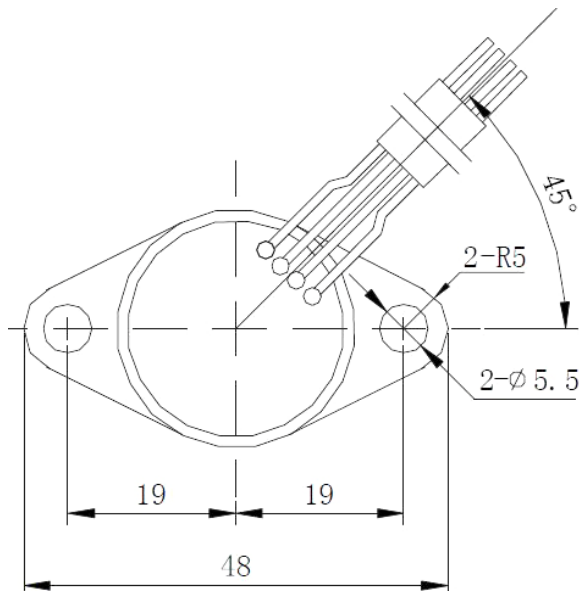
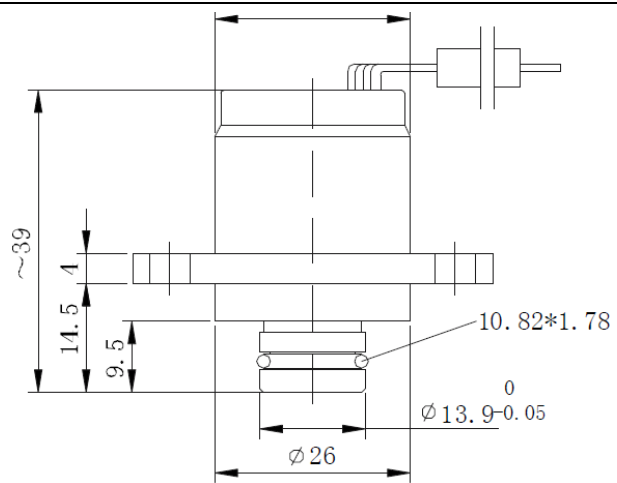
Ceramic Piezo-Resistive Thick Film Pressure Transducer

EST31376 Pressure Transducer

Application: Ratio voltage output | Over-voltage protected | Reverse voltage protected | OBD function | Short circuit protected | Low pressure measurement | Price sensitive industrial applications | Air measurement and control

Specification	
Pressure Range	0~10barA
Output Voltage (Vout)	10%~90%Vcc
Accuracy	±0.5%F.S
Operating Temp.	-40~120℃
Compensated Temp.	-15~85℃
Accuracy in Compensated Temp. Range	±2%F.S
Stability	±0.25%F.S/Y
Proof Pressure	16bar
Burst Pressure	20bar
Response Time	5ms 90%Value
Supply Voltage (Vcc)	4.75~5.25Vdc
Supply Current	≤8mA
Output load Resistance	≥10KΩ
Output Load Capacitance	≤1000pF
Overvoltage Protection	16Vdc
Reverse Voltage	-16Vdc
Short Circuit Protected	Yes
OBD function	Yes
Insulate Resistance	≥20MΩ @100Vdc
Ingress Protection	IP67
Vibration	10g,5~2000HZ
Shock	X/Y/Z, 20, sine 11ms
Housing Material	Aluminum
Seal Material	EPDM

Dimension & Connection



Color	Function Define	Symbol
Black	DC Power Negative	GND
Red	DC Power Positive	VCC
Green	Output for Signal	Vout
Yellow	Shield	PE

